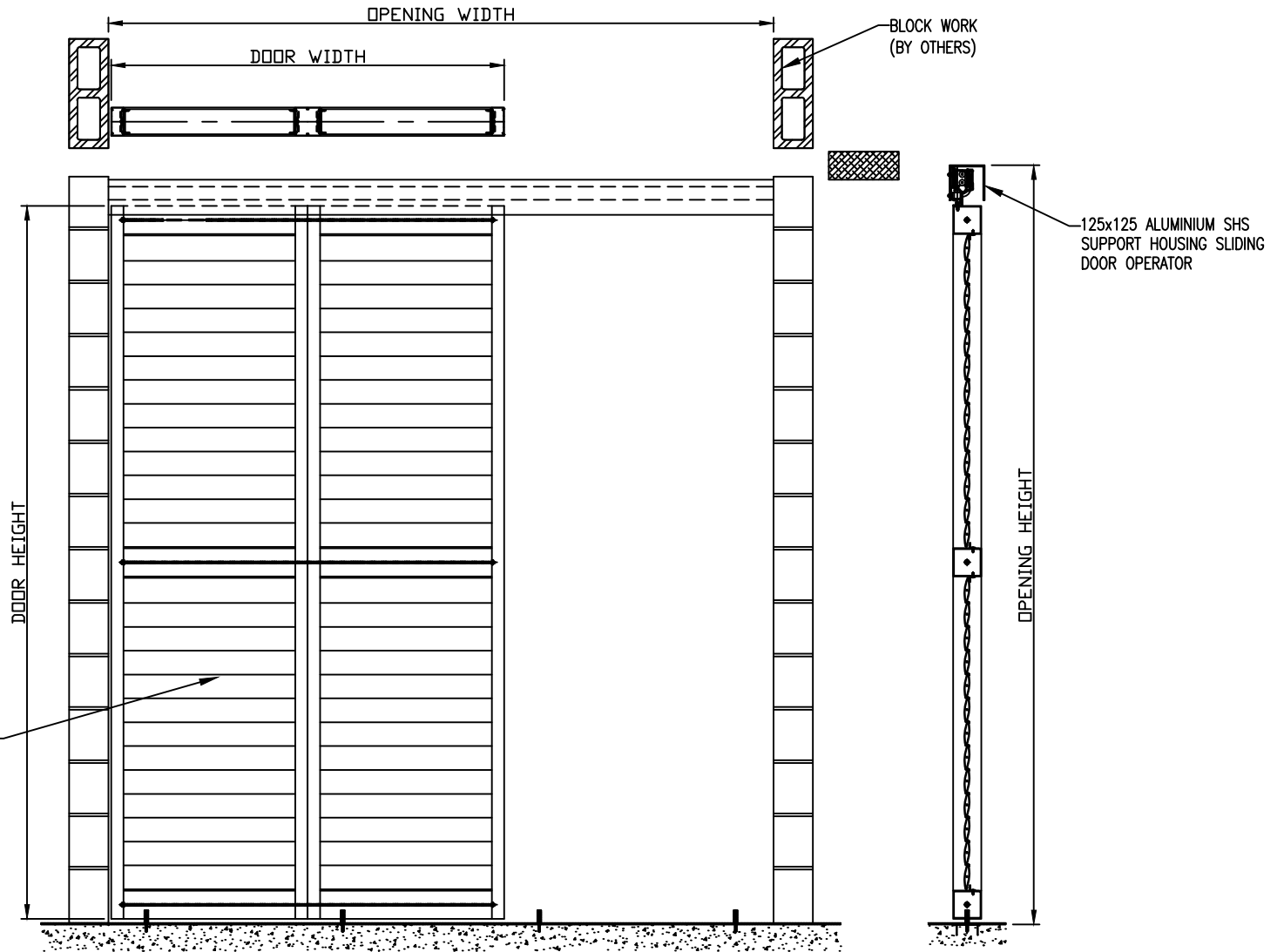


TYPICAL FRONT ELEVATION  
& OPENING DETAILS

90mm ELLIPSOID SWING DOORS:  
EXTRUDED ALUMINIUM DOOR  
FRAME SECTIONS WITH 90mm  
ELLIPTICAL LOUVRE BLADE INFILLS  
(BLADES SHOWN CLOSED)



**D&C Design Pty Ltd**  
Unit 1, 39-45 Howley Rd, Notting Hill, 3168, Victoria, Australia  
T: +61 3 9826 5133 | E: office@dandcdesign.com.au | www.dandcdesign.com.au

Project  
Client  
Description

Finish

Drawn  
S.C. 15.04.16  
Checked  
Approved

Job No.  
Dwg No.  
Rev

90mm ELLIPSOID SLIDING DOORS  
TYPICAL FRONT ELEVATION AND OPENING DETAILS

UWS-005

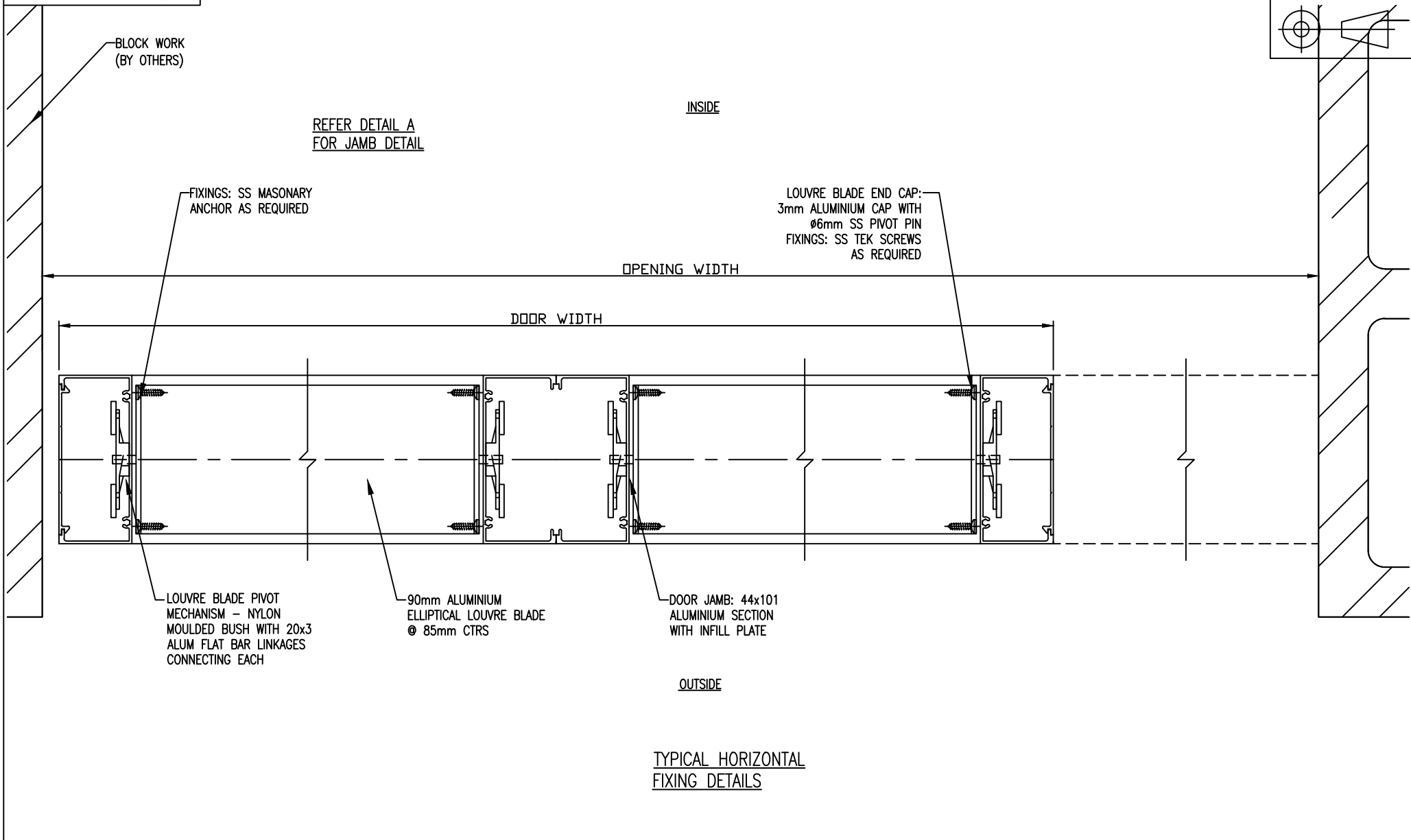
These drawings are the property of D&C Design Pty Ltd and are not to be reproduced in whole or part without the permission of D&C Design Pty Ltd.

© Copyright 2016


Rev	Description	Date

DO NOT SCALE - IF IN DOUBT, ASK

3rd ANGLE PROJECTION

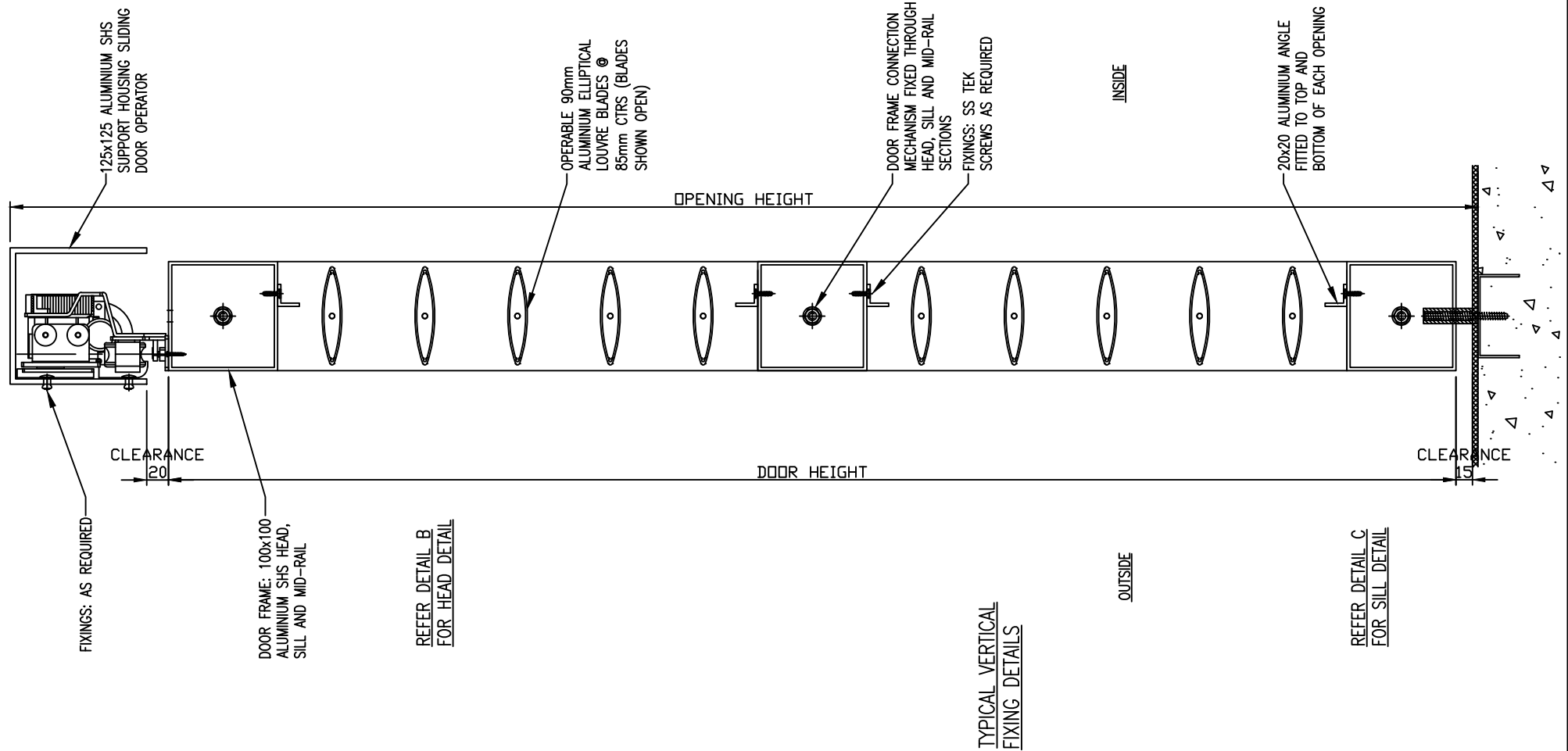
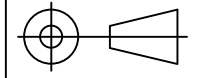


TYPICAL HORIZONTAL  
FIXING DETAILS

 <b>D&amp;C Design Pty Ltd</b> Unit 1, 39-45 Howley Rd, Notting Hill, 3168, Victoria, Australia T: +61 3 9826 5133   E: office@dandcdesign.com.au   www.dandcdesign.com.au	Project	Finish	Drawn	Job No.	
	Client		S.C. 15.04.16		
Description <b>90mm ELLIPSOID SLIDING DOORS TYPICAL HORIZONTAL FIXING DETAILS</b>			Checked	Dwg No.	Rev
			Approved	UWS-006	
			Scale		
Rev	Description	Date	© Copyright 2016		

DO NOT SCALE - IF IN DOUBT, ASK

3rd ANGLE PROJECTION



**D&C Design Pty Ltd**  
 Unit 1, 39-45 Howley Rd, Notting Hill, 3168, Victoria, Australia  
 T: +61 3 9826 5133 | E: office@dandcdesign.com.au | www.dandcdesign.com.au

Project	.
Client	.
Description	90mm ELLIPSOID SLIDING DOOR TYPICAL VERTICAL FIXING DETAILS

Finish	.
--------	---

Drawn	S.C. 15.04.16
Checked	
Approved	
Scale	

Job No.	.
Dwg No.	UWS-007
Rev	

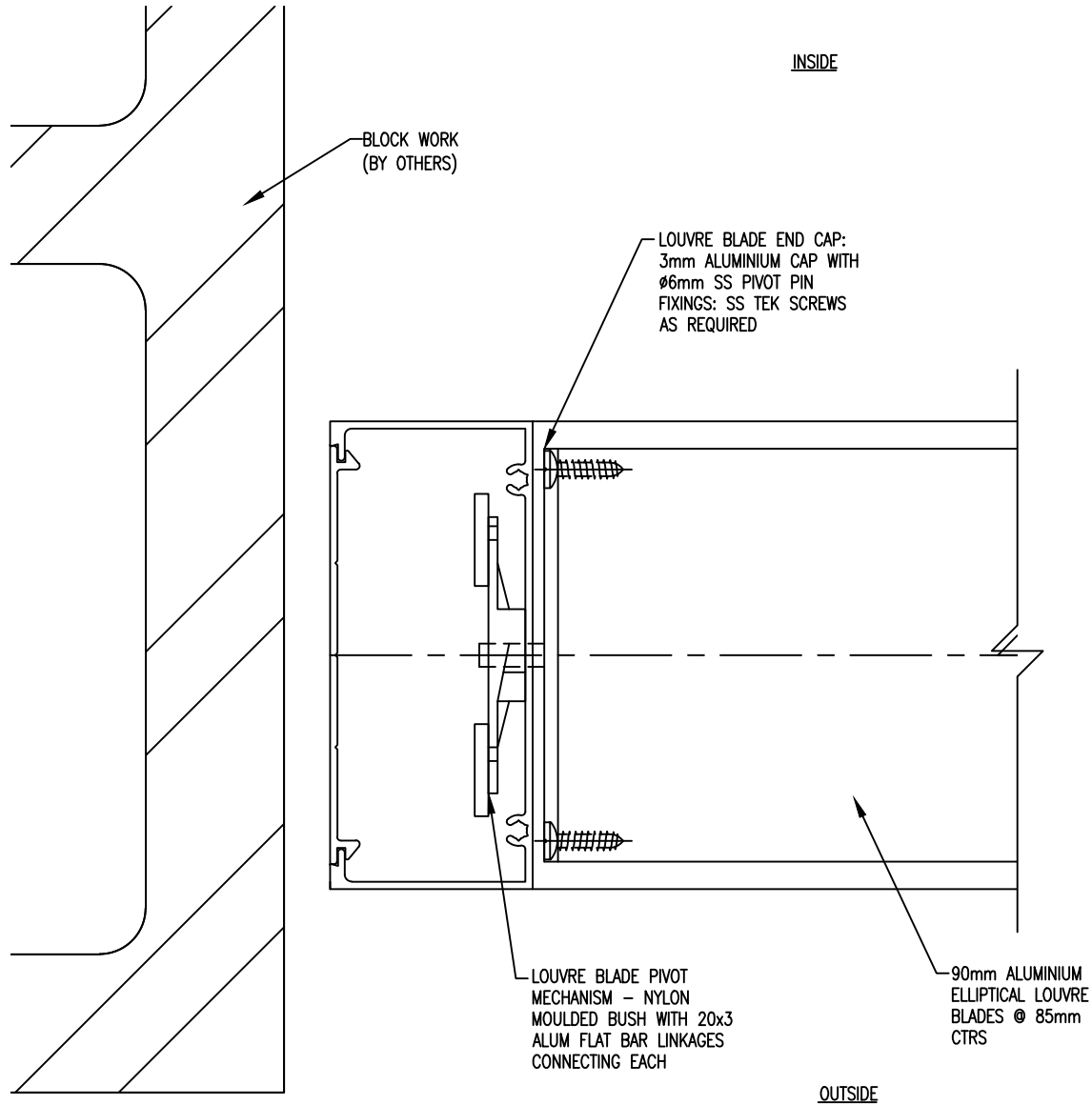
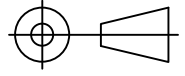
These drawings are the property of D&C Design Pty Ltd and are not to be reproduced in whole or part without the permission of D&C Design Pty Ltd.

© Copyright 2016

Rev	Description	Date

DO NOT SCALE - IF IN DOUBT, ASK

3rd ANGLE PROJECTION



DETAIL A



**D&C Design Pty Ltd**  
Unit 1, 39-45 Howley Rd, Notting Hill, 3168, Victoria, Australia  
T: +61 3 9826 5133 | E: office@dandcdesign.com.au | www.dandcdesign.com.au

Project	.
Client	.
Description	90mm ELLIPSOID SLIDING DOORS TYPICAL FIXING DETAILS

Finish	.
--------	---

Drawn	S.C. 15.04.16
Checked	
Approved	
Scale	

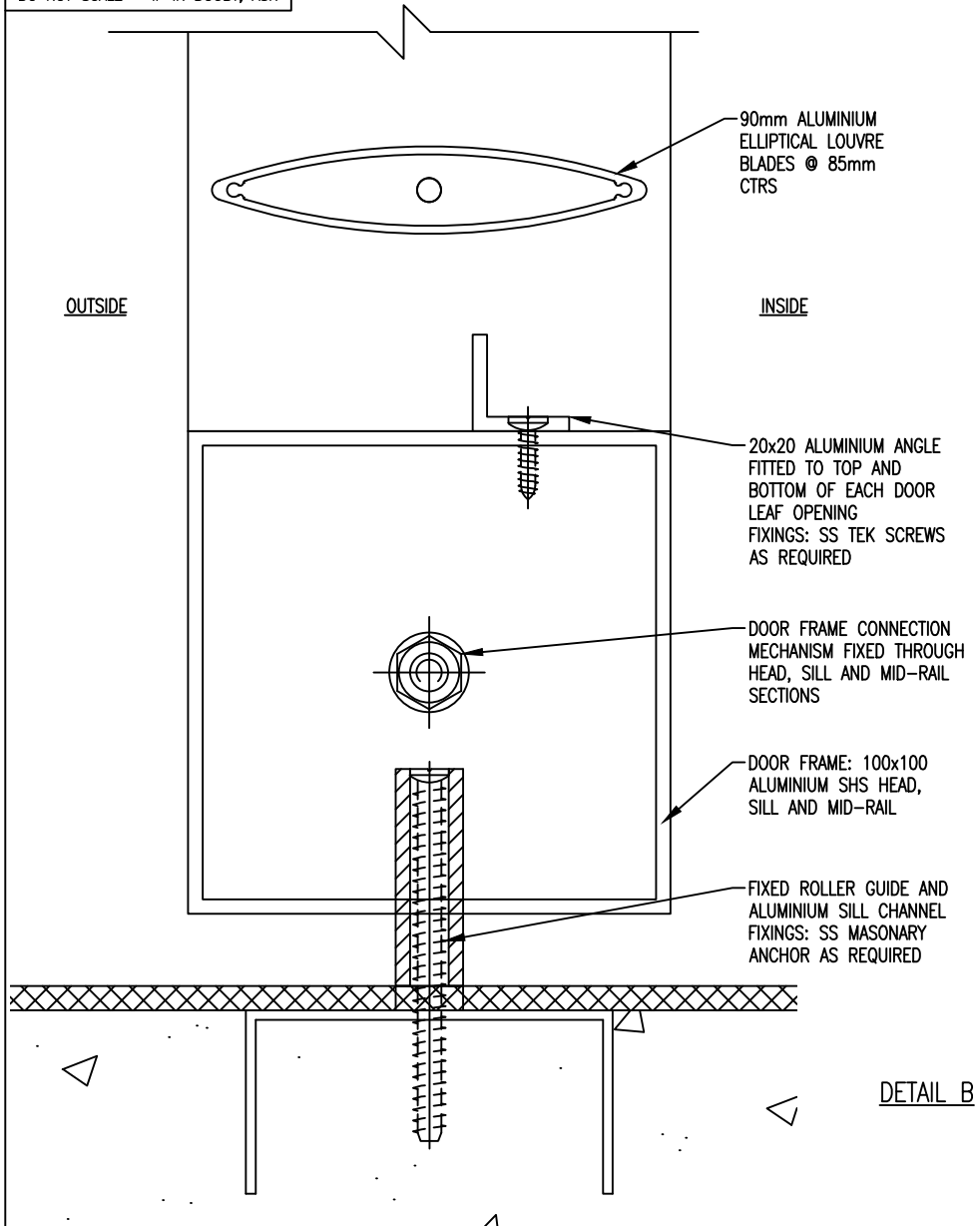
Job No.	.
Dwg No.	UWS-008
Rev	

Rev	Description	Date	© Copyright 2016
-----	-------------	------	------------------

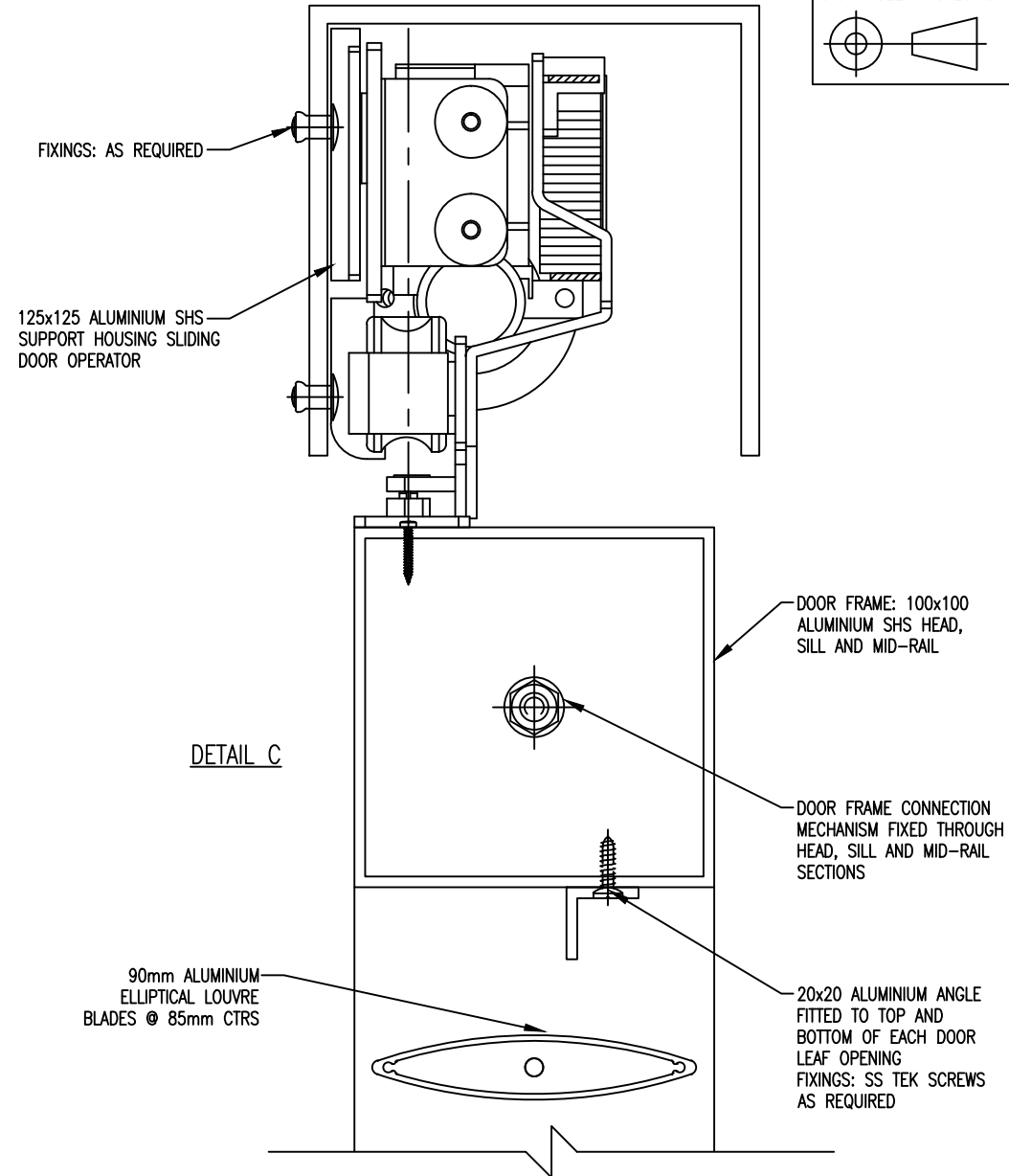
These drawings are the property of D&C Design Pty Ltd and are not to be reproduced in whole or part without the permission of D&C Design Pty Ltd.

DO NOT SCALE - IF IN DOUBT, ASK

3rd ANGLE PROJECTION



DETAIL B



DETAIL C

**D&C Design Pty Ltd**  
 Unit 1, 39-45 Howley Rd, Notting Hill, 3168, Victoria, Australia  
 T: +61 3 9826 5133 | E: office@dandcdesign.com.au | www.dandcdesign.com.au

Project	.
Client	.
Description	90mm ELLIPSOID SLIDING DOORS TYPICAL FIXING DETAILS

Finish	.
--------	---

Drawn	S.C. 15.04.16
Checked	
Approved	
Scale	

Job No.	.
Dwg No.	UWS-009
Rev	

Rev	Description	Date

© Copyright 2016

These drawings are the property of D&C Design Pty Ltd and are not to be reproduced in whole or part without the permission of D&C Design Pty Ltd.